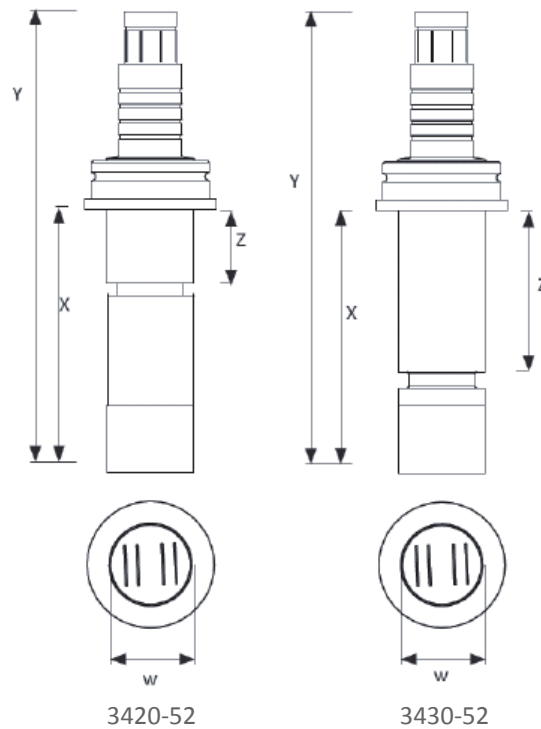


COMPACT ADAPT PROBES

YEAST MONITOR RANGE



Part Number	Description	Overall Dimensions			
		W	X	Y	Z
3420-52	Flush Electrodes 25 x 75 mm Stainless Steel / Fortron standard O-ring position	25	75	132	22
3430-52	Flush Electrodes 25 x 75 mm Stainless Steel / Fortron for use with some Braun safety ports	25	75	132	46