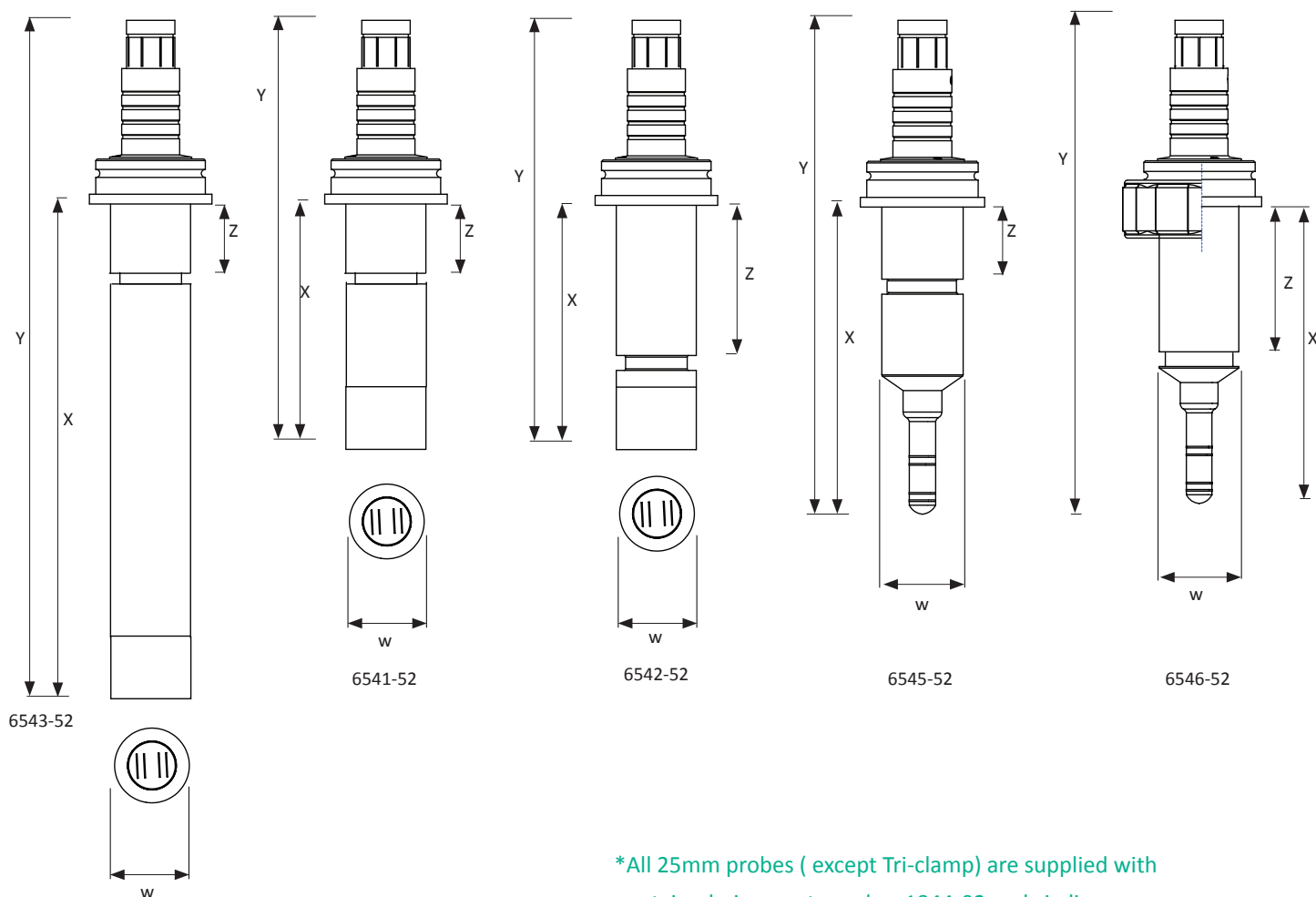


### 12mm Annular Probes

Part Number	Description	Overall Dimensions			
		W	X	Y	Z
6531-52	Annular Electrodes 12 x 120mm Stainless Steel / Fortron	105	223	152	-
6531-52/PG	Pre fitted PG13.5 nut. Annular Electrodes 12 x 120mm Stainless Steel / Fortron	-	223	152	128
6532-52	Annular Electrodes 12 x 220mm Stainless Steel / Fortron	205	323	252	-
6532-52/PG	Pre fitted PG13.5 nut. Annular Electrodes 12 x 220mm Stainless Steel / Fortron	-	323	252	-
6530-52	Annular Electrodes 12 x 320mm Stainless Steel / Fortron	305	423	352	-
6530-52/PG	Pre fitted PG13.5 nut. Annular Electrodes 12 x 320mm Stainless Steel / Fortron	-	423	352	-
6535-52/PG	Pre fitted PG13.5 nut. Annular Electrodes 12 x 425mm Stainless Steel / Fortron	-	555	482	425
6534-52	Annular Electrodes 12 x 450mm Stainless Steel / Fortron	435	555	482	-
6534-52/PG	Pre fitted PG13.5 nut. Annular Electrodes 12 x 450mm Stainless Steel / Fortron	-	555	482	458

# FUTURA Probes

## BIOTECH RANGE



\*All 25mm probes ( except Tri-clamp) are supplied with a retained ring part number 1844-02 and circlip

### 25mm Flush Probes

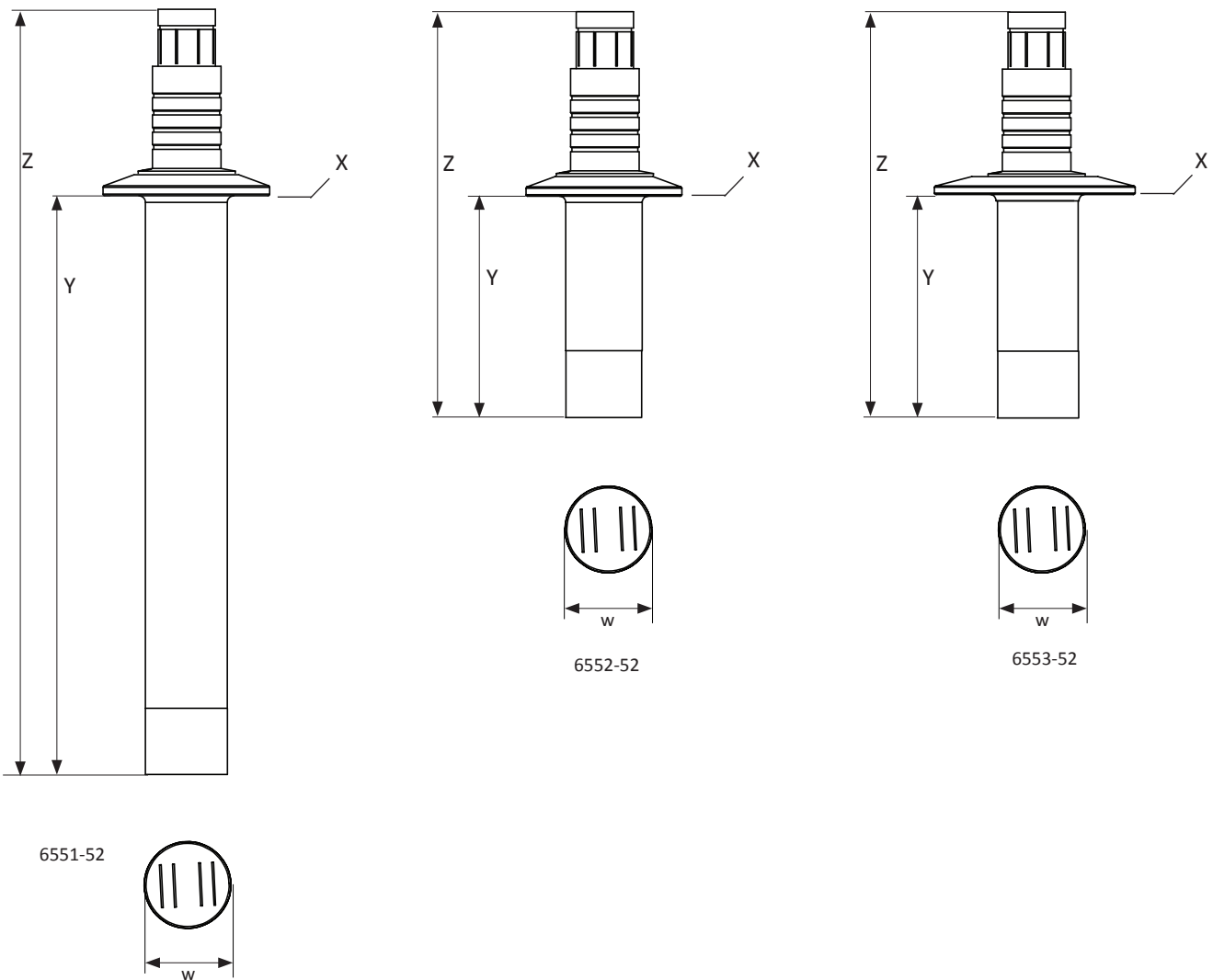
Part Number	Description	Approx Dimensions			
		W	X	Y	Z
6543-52	Probe Flush Electrodes 25 x 175mm Stainless Steel / Fortron	25	175	239	22
6541-52	Probe Flush Electrodes 25 x 75mm Stainless Steel / Fortron standard o-ring position	25	75	132	22
6542-52	Probe Flush Electrodes 25 x 75mm Stainless Steel / Fortron for use with some Braun saftey ports	25	75	132	46
6545-52	Probe Annular Electrodes 25 x 96mm Stainless Steel / Fortron standard o-ring position	25	96	154	22
6546-52	Probe Annular Electrodes 25 x 96mm Stainless Steel / Fortron for use with some Braun saftey ports	25	96	154	47

### Futura Probes with certificates

Futura Probes with certificates - Add certificate Package Pt. No. 6520-64 for each probe purchased

# FUTURA Probes

## BIOTECH RANGE



### Tri clamp probes

Part Number	Description	Overall Dimensions			
		W	X	Y	Z
6551-52	Probe Flush Electrodes 25 x 175mm Stainless Steel / Fortron with size 1 - 1.5" Tri-clamp flange, can be used with NovAseptic ports.	25	50.4 (1.984")	175	225
6552-52	Probe Flush Electrodes 25 x 70 mm Stainless Steel / Fortron with size 1 - 1.5" Tri-clamp flange, can be used with NovAseptic ports.	25	50.4 (1.984")	70	120
6553-52	Probe Flush Electrodes 25 x 70 mm Stainless Steel / Fortron with size 2" Tri-clamp flange, can be used with NovAseptic ports.	25	63.9 (2.516")	70	120

### Futura Probes with certificates

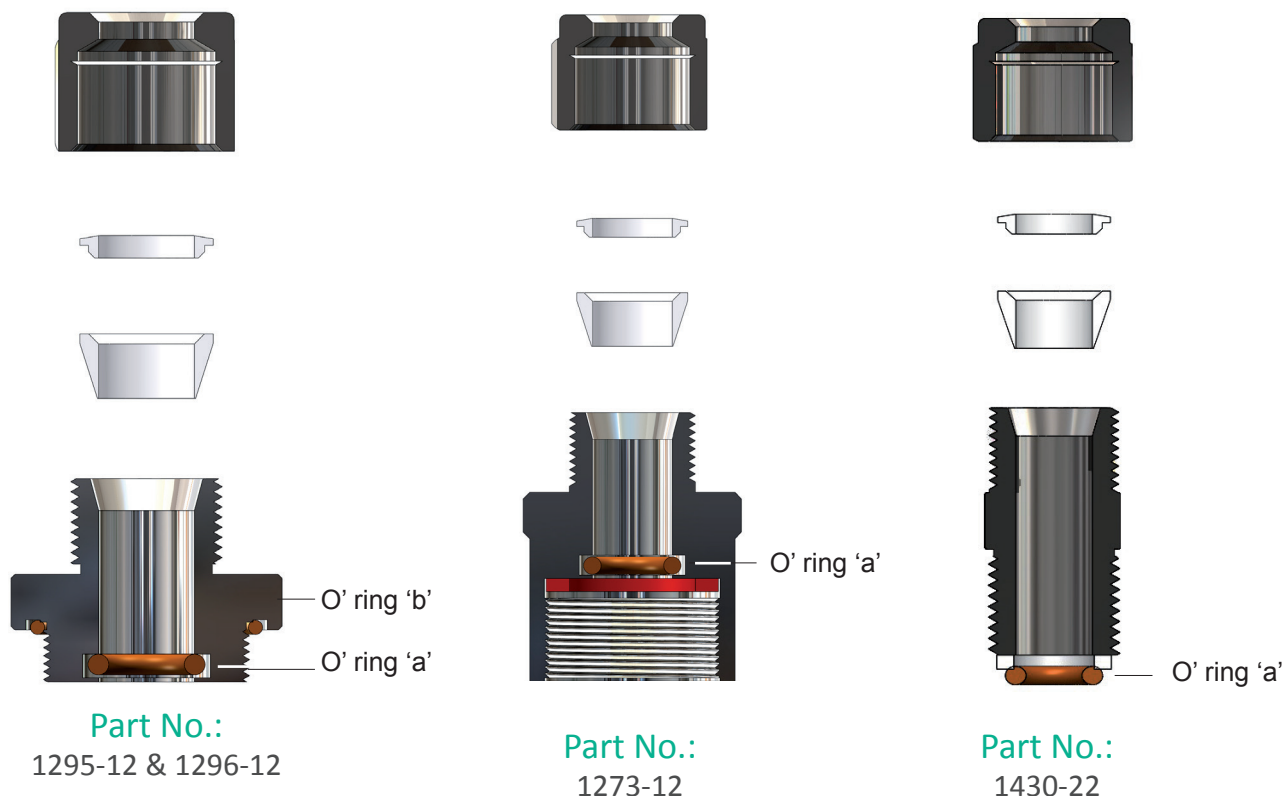
Futura Probes with certificates - Add certificate Package Pt. No. 6520-64 for each probe purchased

# FUTURA

## Port Adaptors

BIOTECH RANGE

The port adaptors are designed to allow the 12mm straight Aber probes to be fitted into either Braun or Applikon 19mm (3/4") top plate, female port fitting. The New Brunswick version is similar but fits a male threaded port on either the top plate or side entry port. The o'rings provide a seal and the nut with nylon ferrules lock the probe in place.



### Port Adaptors

Part No.	Description	Wetted O'ring 'a'	Sealing O'ring 'b'	Sealing Washer 'c'	Mating thread
1295-12	12mm probe to 19mm Braun Sartorius metric port	Silicone FDA 10.78 x 2.62	EPDM 26.7 x 1.78	-	26 x 1 mm PITCH
1296-12	12mm probe to 19mm Applikon imperial port	Silicone FDA 10.78 x 2.62	EPDM 26.7 x 1.78	-	3/4" BSP
1273-12	12mm probe to 19mm New Brunswick metric port	Silicone FDA 10.78 x 2.62	-	Silicone FDA 19 x 3.5 x 2	26 x 1 mm PITCH
1430-22	PG 13.5 Adaptor for 12 mm probes	Silicone FDA 10.78 x 2.62	-	-	PG 13.5