

# COMPACT

## Adapt probes

### Product specification

The Compact "Adapt" combined with a 25mm probe can either be mounted on to a Varivent instrument housing or the probe can be inserted into a range of ports commonly used on Fermenters or Propagators. An ideal solution for small breweries, fermenters in development laboratories as well as larger brewing vessels.

For recommendations on suitable products for your application, please contact [sales@aberinstruments.com](mailto:sales@aberinstruments.com)



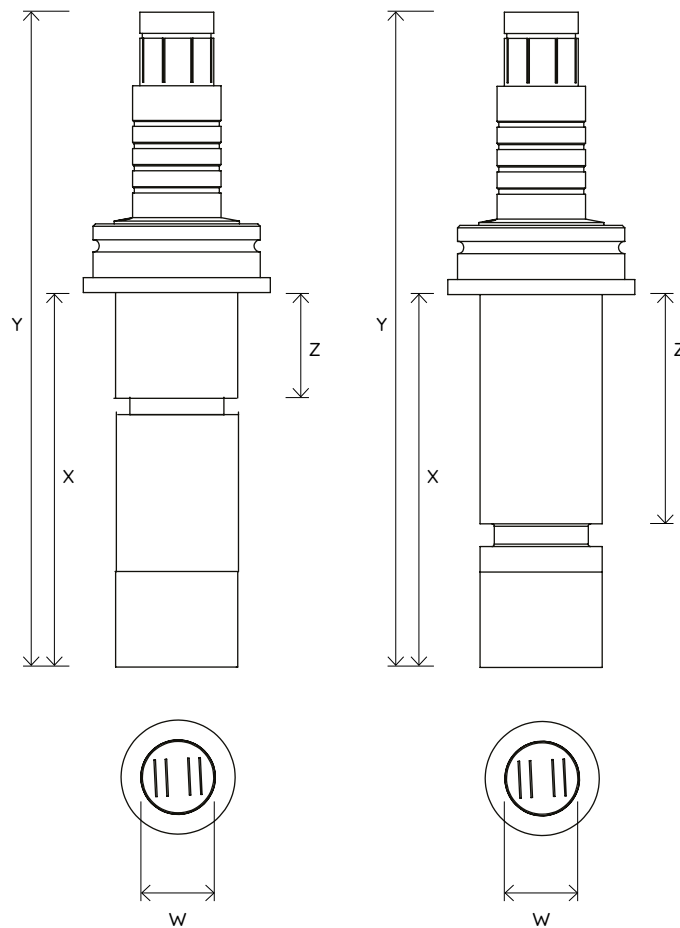
Flush Probe



# COMPACT

## Adapt probe

### Product specification



3420-52

3430-52

Part Number	Description	Dimensions (mm)			
		W	X	Y	Z
3420-52	Flush Electrodes 25 x 75 mm Stainless Steel / Fortron standard O-ring position	25	75	132	22
3430-52	Flush Electrodes 25 x 75 mm Stainless Steel / Fortron for use with some Braun safety ports	25	75	132	46

