

# COMPACT

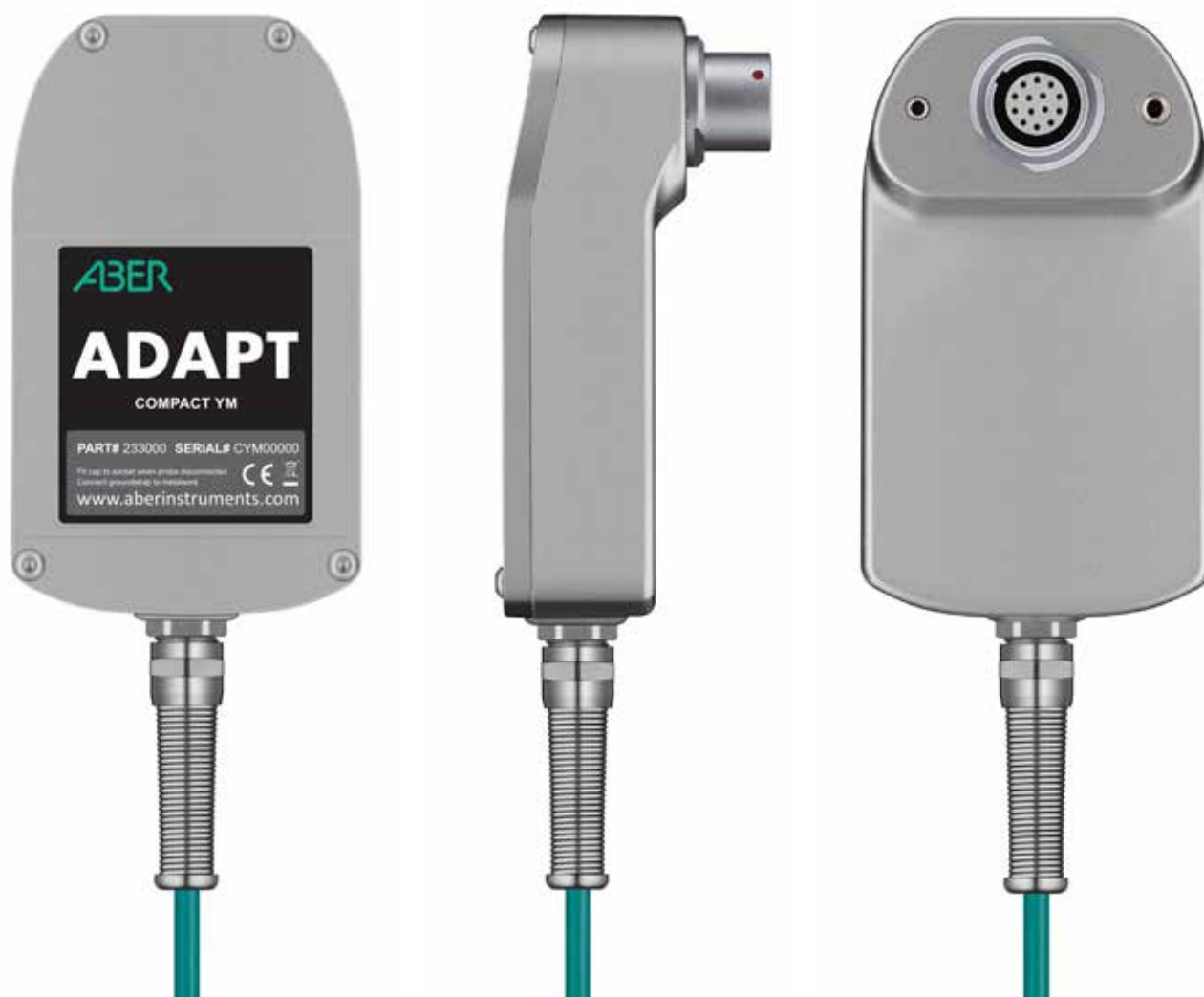
## Adapt yeast monitor

### Product specification

The Compact Adapt Yeast Monitor is ideal for measurements of the on-line live cell concentration in fermenters and propagators. It can also be used in-line on the pipework.

It has a Lightweight housing suitable for most fermenters and is ideal for 25mm diameter side mounted Ingold ports.

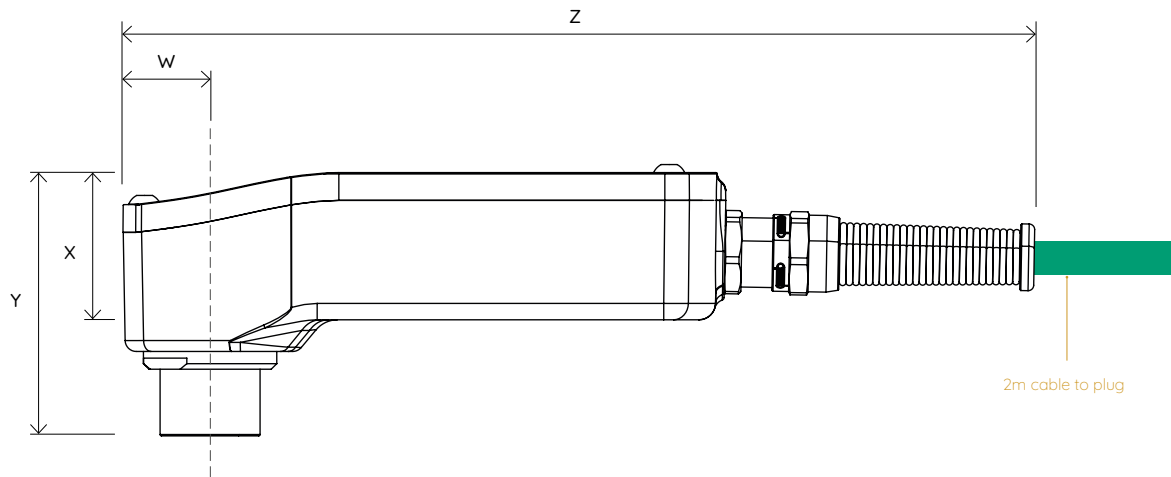
For recommendations on suitable products for your application, please contact [sales@aberinstruments.com](mailto:sales@aberinstruments.com)



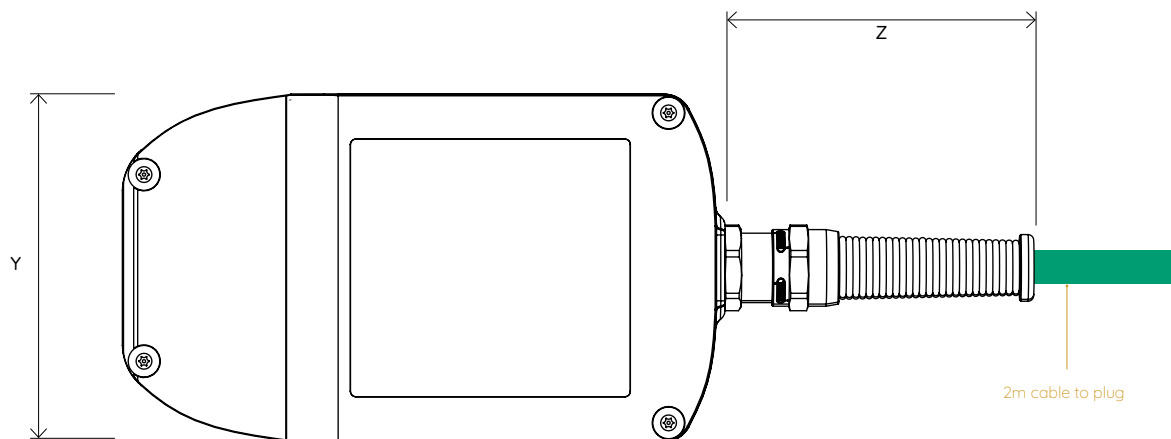
# COMPACT

## Adapt yeast monitor

### Product specification



Part Number	Description	Dimensions (mm)			
		W	X	Y	Z
3330-00	COMPACT Adapt Yeast Monitor	15	27	47	164



Part Number	Description	Dimensions (mm)			
		W	X	Y	Z
3330-00	COMPACT Adapt Yeast Monitor	-	-	62	56

# COMPACT

## Adapt yeast monitor

### Technical specification

Measuring Frequency:	312KHz
Measuring Ranges:	0 to 400 pF/cm 0 to 100% Viable Yeast Spun Solids 0 to $5 \times 10^9$ Cells/ml Conductivity range of 0.75 to 10 mS/cm
Cell Concentration Range:	Depends on cell sizes but typically: Yeast (6 $\mu$ m): $10^6$ cells/ml to $10^{10}$ Cells/ml
Resolution:	Resolution: 0.1 pF/cm. Approx: Yeast or Animal Cells 0.05g/L or $1 \times 10^5$ Cells/ml The relationship of these capacitance values to biomass levels depends upon the cell type and line
Accuracy:	Typically better than $\pm 3\%$ or $\pm 2\%$ of the reading
Stability:	Better than $\pm 0.2$ pF/cm at constant temperature with standard conductivity solution of $\sim 1.4$ mS/cm
Linearity:	Better than $\pm 1\%$ over 100 pF/cm
Precision:	Typically $< \pm 0.5$ pF/cm, no filter active
Power Supply:	Natively 24V DC. This is supplied by the YM V350
Environmental:	IP65 rated ; Recommended ambient operating temperature range: 5°C to 40°C

