

COMPACT

V350 panel mount

Product specification

From ABER Instruments' range of yeast analysis products, the COMPACT V350 Panel Mount connects to any single COMPACT Yeast Monitor and is programmable for different applications.

For recommendations on suitable products for your application, please contact sales@aberinstruments.com

Provides power to a single COMPACT.

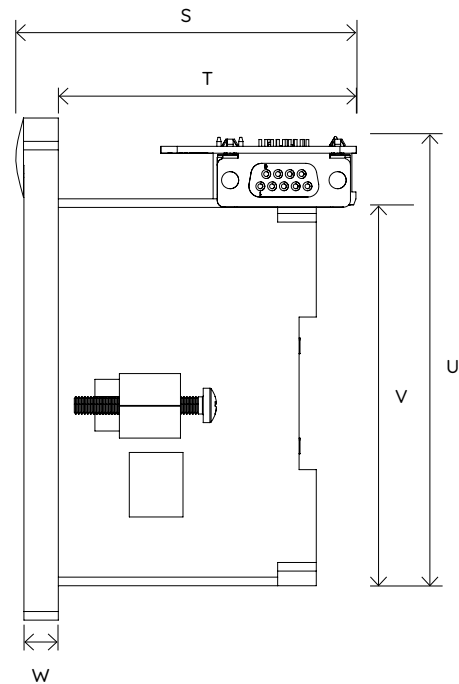
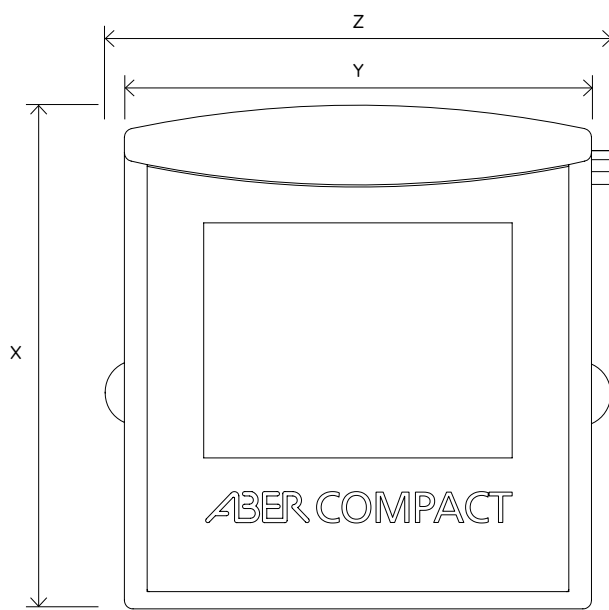
- Provides 2 x 4-20mA current loops for concentration and conductivity.
- Ideal for measuring live yeast cell concentration in fermenters. Displays graphs of data.
- 1 x Alarm Relay



COMPACT

V350 panel mount

Product specification



Part Number	Description	Dimensions (mm)							
		S	T	U	V	W	X	Y	Z
3515-00	V350 panel mount	77.6	60	119	90	8	114	109	118

Part Number	Description
3525-30	V350 DC/DC Supply Isolating Converter - Din Rail Mountable - Optional
3531-30	V350 AC/DC Supply isolating converter



COMPACT

V350 panel mount

Technical specification

Measuring Ranges:	Capacitance: 0 to 400pF/cm, equivalent Cells/ml Conductivity: 1 to 40mS/cm
Power Supply:	+24V DC
Power Consumption:	15W Maximum
Battery Backup:	7 years typical, at 25°C (Clock and Data Only)
Electrical Safety:	Must be mounted in a suitable EMC shielded enclosure & grounded. Refer to installation instructions.
Environmental:	IP65 for fascia, when mounted in suitable panel. Safe ambient operating temperature range: 5°C to 40°C Recommended ambient operating temperature range: 15°C to 30°C Relative Humidity: < 85%. Pollution: Deg 2. (EN61010) Recommended operating altitude: < 2000m

