

COMPACT

Yeast monitor

Product specification

The Compact Yeast Monitor measures the concentration of live yeast on-line. The Compact Yeast Monitor is designed to be fitted on to standard instrument housings such as the Tuchenhagen varivent. This robust instrument is completely contained within an IP65 stainless steel housing.

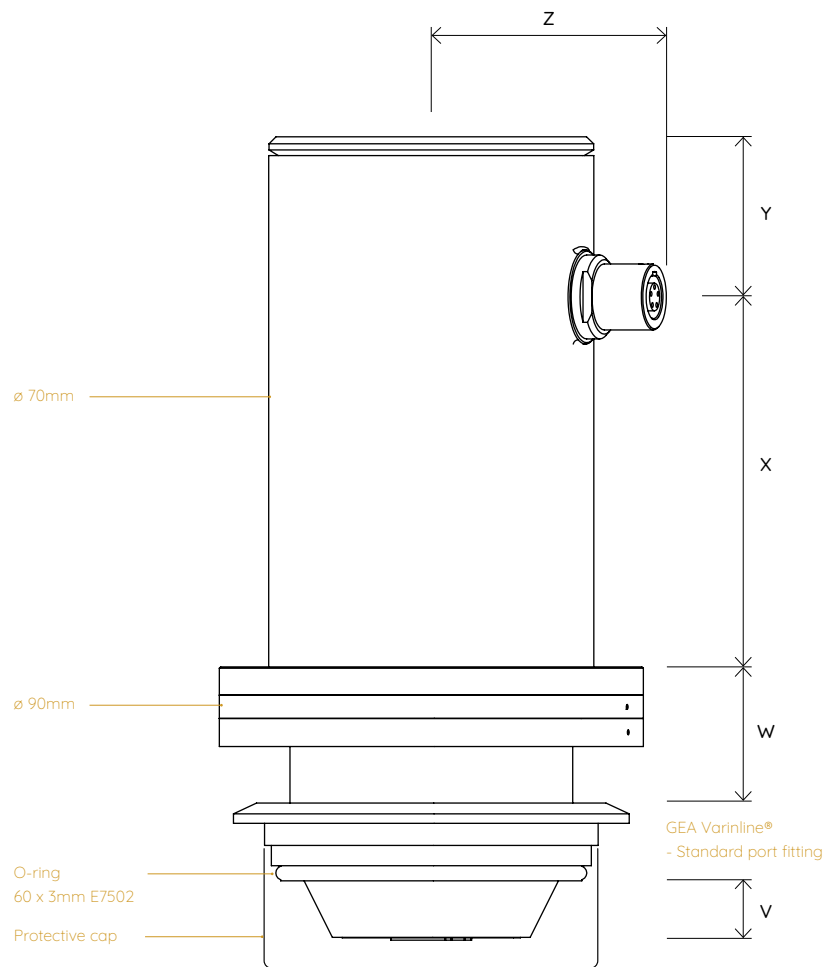
For recommendations on suitable products for your application, please contact sales@aberinstruments.com



COMPACT

Yeast monitor

Product specification



Part Number	Description	Dimensions (mm)				
		V	W	X	Y	Z
4110-00	COMPACT Yeast Monitor	12	30	73.5	34.5	49



COMPACT

Yeast monitor

Technical specification

Measuring Frequency:	312KHz
Measuring Ranges:	0 to 400 pF/cm 0 to 100% Viable Yeast Spun Solids 0 to 5×10^9 Cells/ml Conductivity range of 0.75 to 10 mS/cm
Cell Concentration Range:	Depends on cell sizes but typically: Yeast (6 μ m): 10^6 cells/ml to 10^{10} Cells/ml
Resolution:	Resolution: 0.1 pF/cm Approx: Yeast or Animal Cells 0.05g/L or 1×10^5 Cells/ml The relationship of these capacitance values to biomass levels depends upon the cell type and line.
Accuracy:	Typically better than $\pm 3\%$ or $\pm 2\%$ of the reading
Stability:	Better than ± 0.2 pF/cm at constant temperature with standard conductivity solution of ~ 1.4 mS/cm
Linearity:	Better than $\pm 1\%$ over 100 pF/cm
Precision:	Typically $< \pm 0.5$ pF/cm, no filter active.
Power Supply:	Natively 24V DC. This is supplied by the YM V350
Environmental:	MAXIMUM OPERATING PRESSURE FOR COMPACT UNIT: 10 BAR ; IP65 rated; Safe ambient operating temperature range: 5°C to 40°C

