

FUTURA probes

Tri Clamp probes

Product specification

Aber Instruments has a wide range of probes to suit all applications, the 7.5mm FUTURA pico probe for mini-bioreactors and similar smaller platforms, the 12mm diameter probes ideal for small bioreactors and 25mm diameter for larger vessels, typically used in manufacturing / production environments.

All probes are electro-polished and passivated. Options for USP class VI and FDA CFR21 177 certificates. By default a probe is shipped with a standard certificate of traceability. If you wish to have a full breakdown of all the materials used in the production of a probe then please order the 'Probe Certificate of Conformance' package for each probe. Contact ABER if you wish to see an example of the documentation you will receive.

For recommendations on suitable products for your application, please contact sales@aberinstruments.com

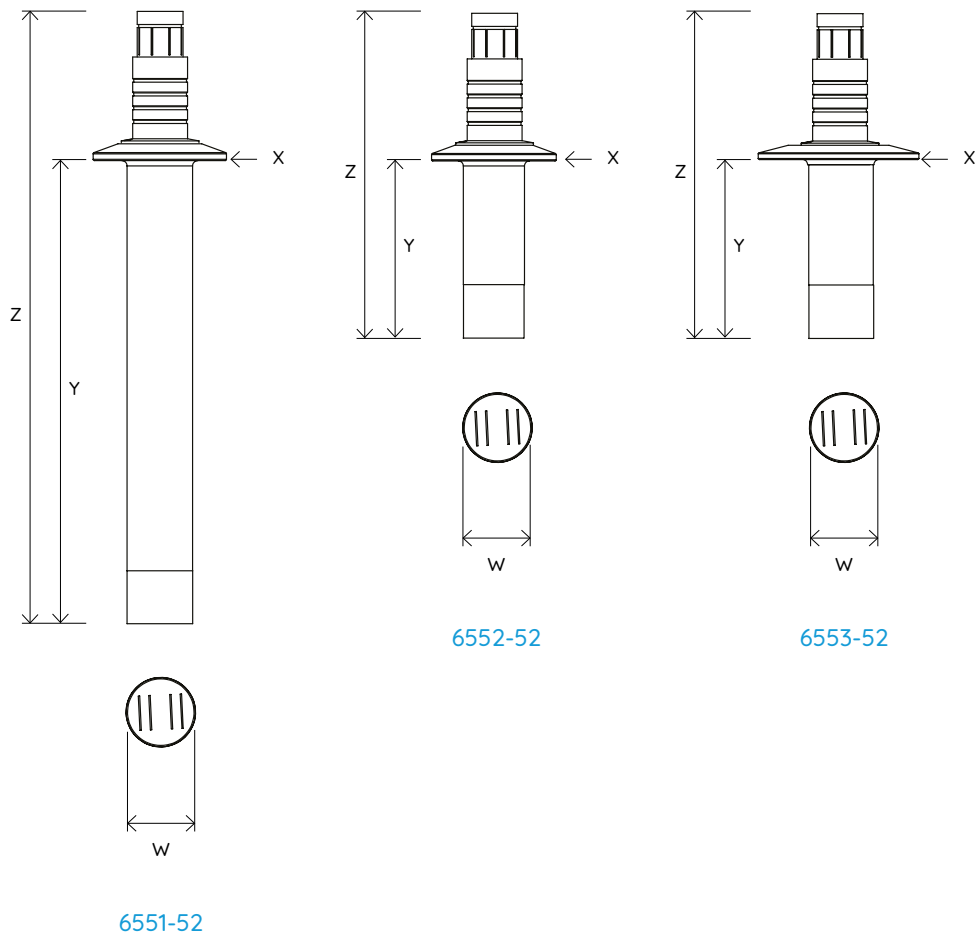


Annular Probe
Pre fitted PG 13.5 Nut

FUTURA probes

Tri Clamp probes

Product specification



Part Number	Description	Dimensions (mm)			
		W	X	Y	Z
6551-52	Probe Flush Electrodes 25 x 175mm Stainless Steel / Fortron with size 1 - 1.5" . Tri-clamp flange, can be used with NovAseptic ports.	25	50.4 (1.984")	175	225
6552-52	Probe Flush Electrodes 25 x 70 mm Stainless Steel / Fortron with size 1 - 1.5" . Tri-clamp flange, can be used with NovAseptic ports.	25	50.4 (1.984")	70	120
6553-52	25 x 70mm, 2" Tri-clamp flange, NovAseptic Ports	25	50.8 (2.00")	70	120