

FUTURA

V350 panel mount

Product specification

The V350 modules are ideal when a local interface is required close to the bioreactor. The operator can input Futura settings and monitor process values locally.

For recommendations on suitable products for your application, please contact sales@aberinstruments.com

V350 Touch Panel Mount PLC with 3.5" TFT touch screen

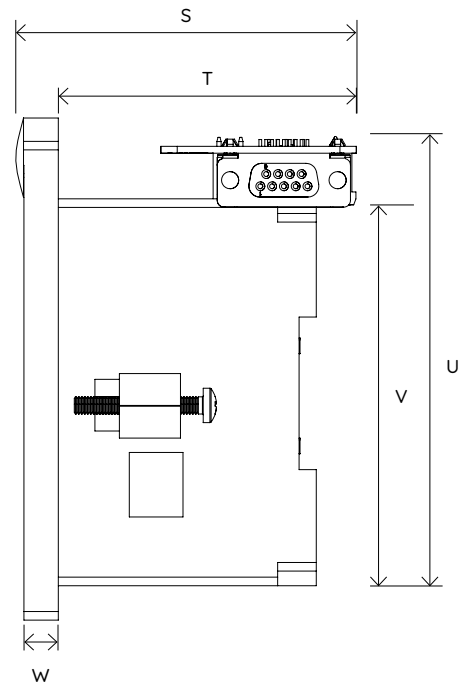
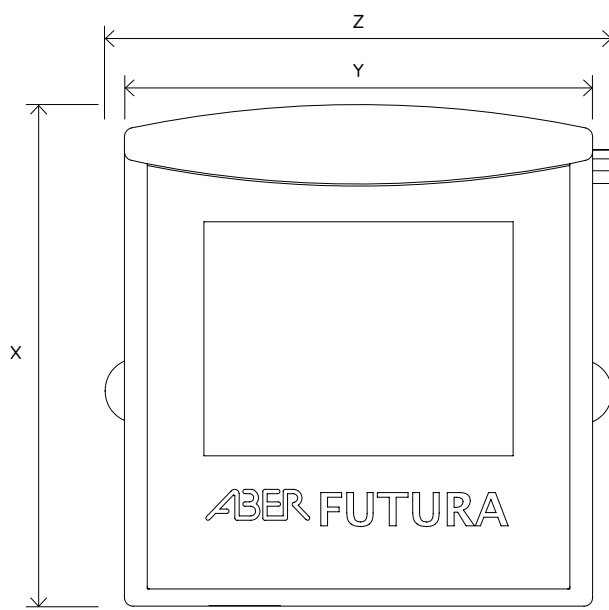
- Connects to any single Futura option and is programmable for different applications.
- Provides power to a single Futura.
- Provides 2 x 4-20mA current loops for capacitance and conductivity.
- Displays graphs of recorded data.
- 1 Futura pass through USB connection
- 1 x Alarm Relay



FUTURA

V350 panel mount

Product specification



Part Number	Description	Dimensions (mm)							
		S	T	U	V	W	X	Y	Z
3551-00	V350 panel mount	77.6	60	119	90	8	114	109	118

Part Number	Description
3551-00	V350 panel mount
3525-30	V350 DC/DC Supply isolating converter
3531-30	V350 AC/DC Supply isolating converter

FUTURA

V350 panel mount

Technical specification

Measuring Ranges	Capacitance: 0 to 400pF/cm, equivalent Cells/ml Conductivity: 1 to 40mS/cm
Power Supply:	+24V DC
Power Consumption:	15W Maximum
Battery Backup::	7 years typical, at 25°C (Clock and Data Only)
Electrical Safety::	Must be mounted in a suitable EMC shielded enclosure & grounded. Refer to installation instructions.
Environmental::	IP65 for fascia, when mounted in suitable panel. Safe ambient operating temperature range: 5°C to 40°C Recommended ambient operating temperature range: 15°C to 30°C Relative Humidity: < 85%. Pollution: Deg 2. (EN61010) Recommended operating altitude: < 2000m